

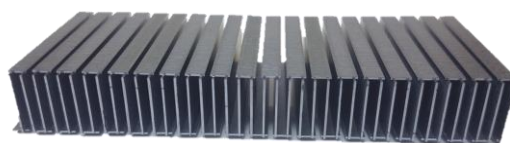
Thermagemy™ power module

Thermagemy as a novel alternative for local electricity

Features	Application
<ul style="list-style-type: none"> A thermoelectric device to be applied as a layer between a high temperature 700°C -1200°C heat source and a water heating system Simple pressure-less mounting in atmospheric conditions No moving parts or maintenance required Extremely stable and robust design, proven silicon materials 	<ul style="list-style-type: none"> Decentralized or local co-generation of electricity besides heat, for use in on grid or off grid domestic heating systems, like gas boilers or woodstoves A supplement of low solar panel output in winter, a way of independent power supply and emergency power Customization to your heating system provides best customer benefit



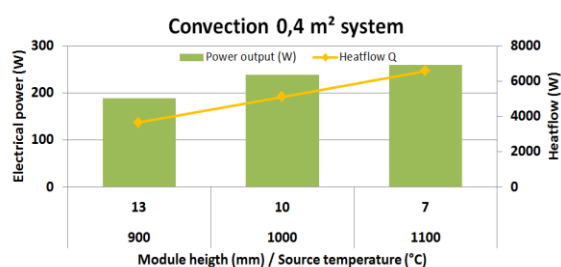
Advanced woodstoves



Thermagemy™ power module

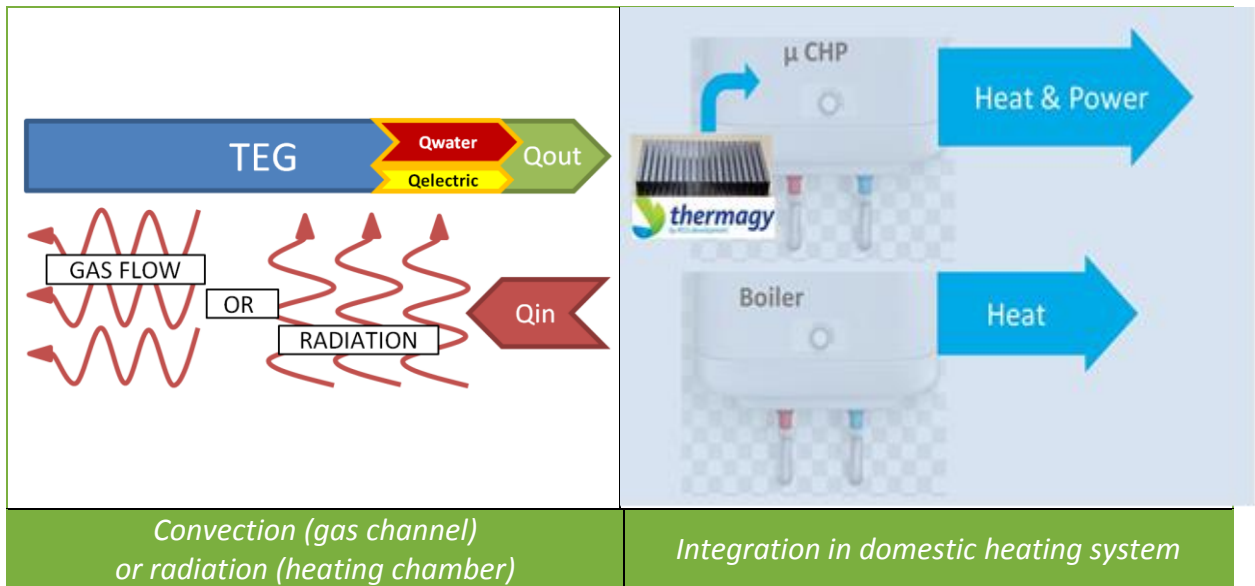


Heat to power





200 - 300W Electricity yield

The first viable thermoelectric solution for high temperature heat



References

	
<p><i>Development partners</i></p>	<p><i>A "solar panel for heat"</i></p>

Services

<i>Prototyping</i>	<i>Series supply</i>
100x40 module : € 200/pc, excl. VAT and delivery Engineering, testing, integration services on request	Initial range 3-5 €/W Longer term/volume range 2-3 €/W Integration cost range 1-2 €/W (at integrator)

Technical data

Technical data sheet available at www.rgsdevelopment.nl



Contact
 M. den Heijer
denheijer@rgsdevelopment.nl
 0031 6 10396432